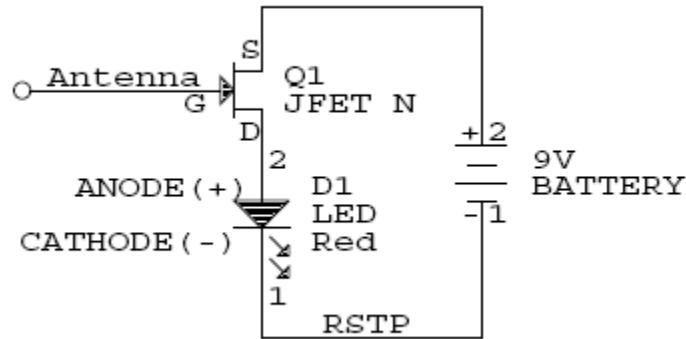
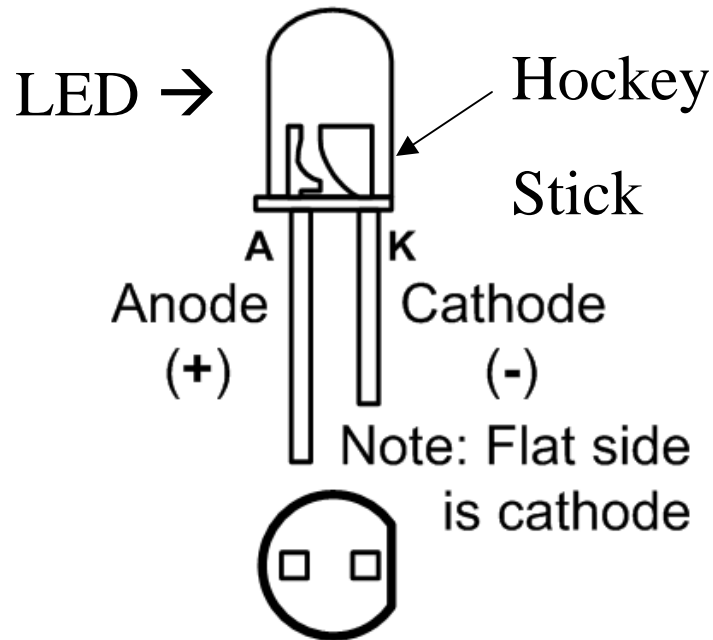
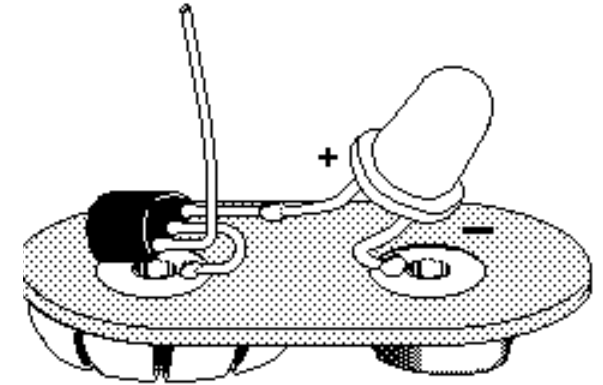
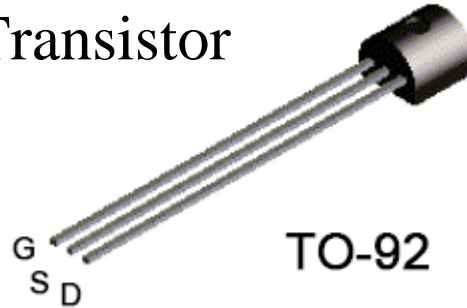


# ElectroStatic Detector Project (red)



**MPF102**

Transistor



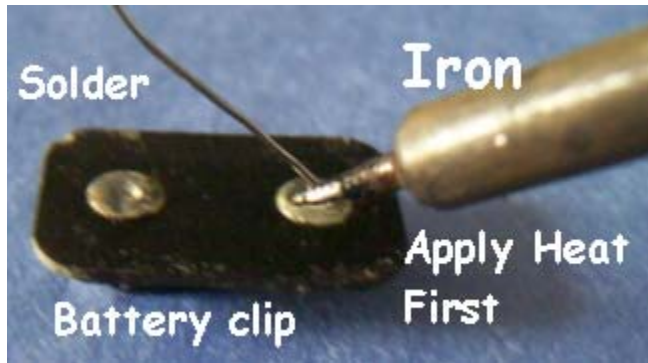
(-) (+)



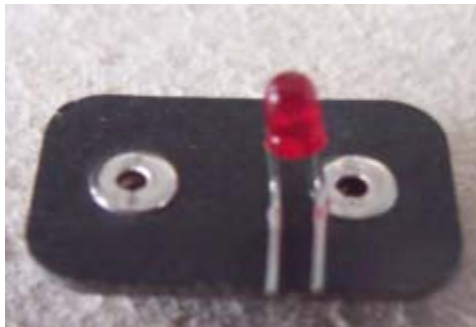
RSTP/2011

Read all steps first

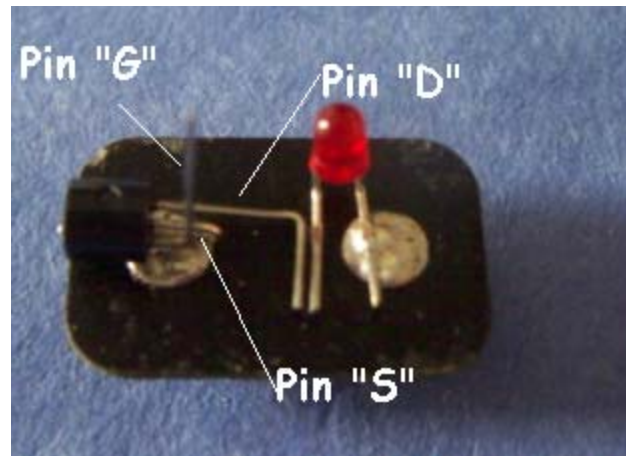
# Assembly Steps (red)



- Plug **Battery Clip** on table connector
- Apply a bit of solder(heat) on Battery(-)
- Identify **LED (-)** (looking at LED body)
- **SOLDER** LED(-) to Battery Clip (-)



OK to cut wire  
leads shorter if  
needed.

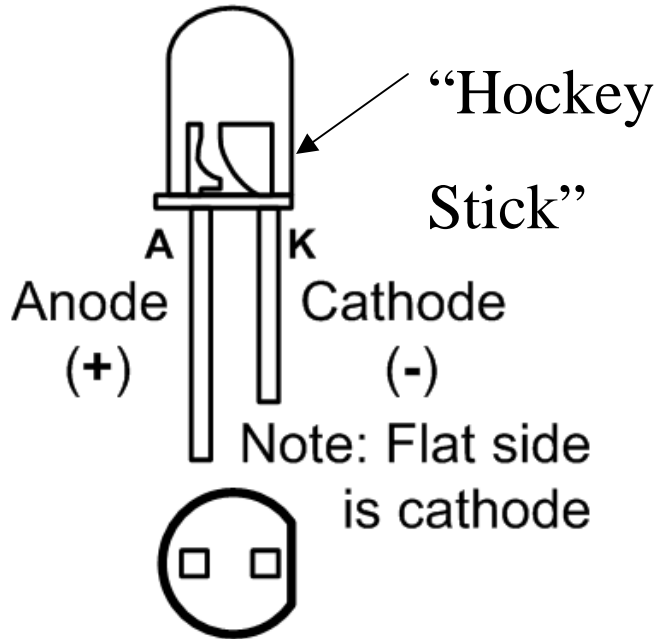


- Solder Pin "D" to LED(+)
- **DONE ! Great Job!**
- **UNPLUG** Soldering IRON

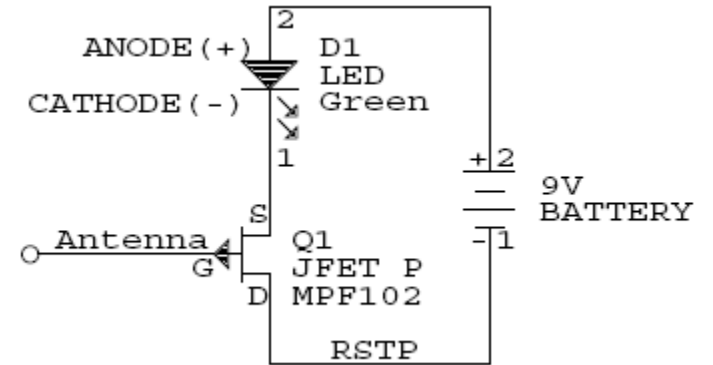
- Transistor **FLAT** down
- Bend **UP** pin "G"
- Bend **Down** pin "S"
- Solder Middle pin "S"



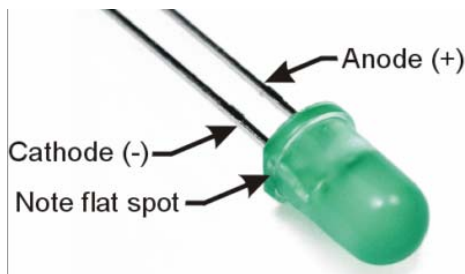
# ElectroStatic Detector Project (green)



**Transistor  
P-CH JFET**



**LED**



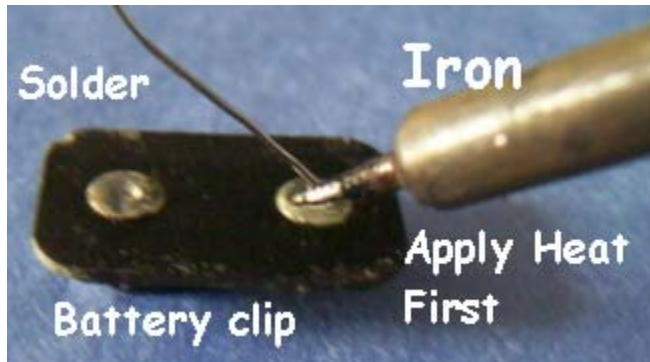
(-) (+)



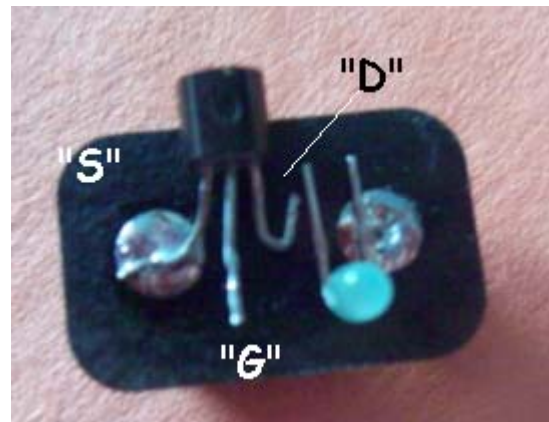
RSTP/2011

Read all steps first

# Assembly Steps (green)



- Plug **Battery Clip** on table connector
- Apply a bit of solder(heat) on Battery(+)
- Identify **LED (+)** (looking at LED body)
- **SOLDER** LED(+) to Battery Clip (+)



- Transistor **FLAT** down
- Bend **UP** middle pin **“G”**
- Solder pin **“S”** to (+)

OK to cut wire  
leads shorter if  
needed.

- Solder Pin **“D”** to LED(-)
- **DONE ! Great Job!**
- **UNPLUG** Soldering IRON

